

# **SINGER**

## **151W3**

# LIST OF PARTS



## MACHINE No. 151w3

\*\* A TRADE MARK OF

THE SINGER MANUFACTURING COMPANY

## INDEX

---

	Page
Accessories .....	12
Binders .....	13
Bobbin Winder .....	12
Knee Lifter .....	13
Machine No. 151w3 .....	5
Numerical List of Parts .....	17

From the library of: Diamond Needle Corp

# INSTRUCTIONS FOR ORDERING

In ordering from this list, use ONLY the PART number in the FIRST column.

The number stamped on a Sewing Machine Part is the number of the Single Part only, except when the part includes Set Screws, Clamping Screws, Studs and Rollers Spun on, Small Wires riveted, or Parts soldered together, etc., which it is necessary to furnish in combination.

Every combination of parts sent out has its specific number which, although not stamped on Parts (except in above case), must be used when ordering the combination.

Each number always indicates the SAME PART in whatever list it appears, or for whatever Machine.

The letters after some of the numbers indicate the style of finish only, as follows:

- A. Hardened, Polished and Plated.
- B. Polished and Plated.
- C. Hardened only.
- D. Polished only.
- E. Soft, not polished.
- F. Hardened and Polished.
- H. Blued.
- J. Nickel Plated only.
- R. Merlized.
- Y. Black Nickel Plated only.

These letters **MUST BE USED** when they appear in the list and **AFTER** the number, as in the list.

In this series

200001 to 201500 and 350001 to 351500 are Screw Numbers.  
 201501 to 201800 and 351501 to 351800 are Nut Numbers.  
 201801 to 202000 and 351801 to 352000 are Roller Numbers.  
 202001 to 350000 are Numbers of Machine Parts.

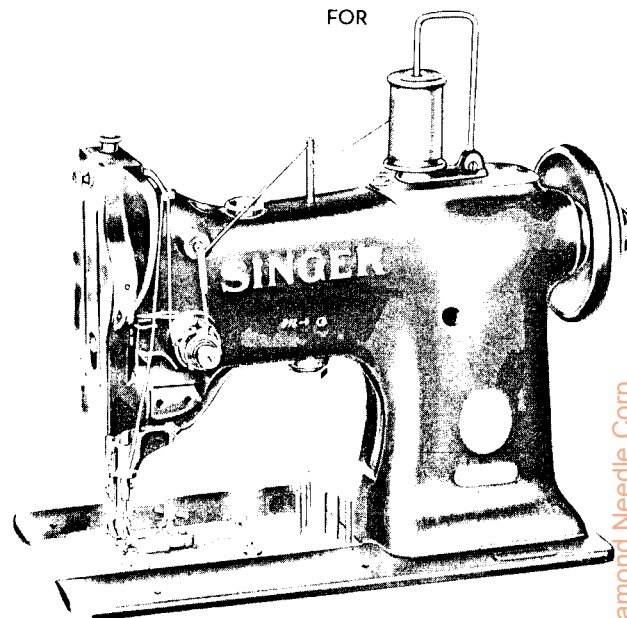
The figures in the second column refer only to the plate in which the illustration of the part is shown and are **NOT TO BE USED** in ordering.

Two or more numbers over a cut indicate that the difference between such parts is not visible in an illustration.

Parts marked with an asterisk (\*) are furnished only when repairs are made at the factory.

## LIST OF PARTS COMPLETE

FOR



MACHINE No. 151w3

UNISON FEED      BALL BEARING

FOR BINDING CORSETS AND OTHER SIMILAR WORK

No.	Plate	Name
*224536	-----	Arm with 202135
224531	16503	" Cap with 244071
244071	-----	" " Oil Wick
200278H	16501	" " Screw
202248	16501	" " " Washer
203089	16504	" " Spool Holder Base
203090	16504	" " " " " 203089 with 200079H and 204296
200585H	11672	Arm Cap Spool Holder Base Screw
204296	16504	" " " " Wire
200079H	16501	" " " " " Hinge Screw
224532	-----	Arm Cap and Spool Holder complete, Nos. 203090, 224531 and two 200585H
204235	16501	Arm Position Pin
200010E	11672	" Screw
202005	11672	" " Washer
208523	16504	" Shaft
249440	16503	" " Ball Bearing

From the library of: Diamond Needle Corp

No.	Plate	Name
*240054	-----	Arm Shaft Ball Bearing Collar with two 200378C
240055	16503	Arm Shaft Ball Bearing Collar 240054 with 249440
200378C	16501	Arm Shaft Ball Bearing Collar Set Screw
*240056	-----	" " " " Retaining Washer
*240053	-----	" " Bushing (back)
240057	16503	Arm Shaft Bushing (back, ball bearing) complete, Nos. 240053, 240055 and 240056
200338C	16501	Arm Shaft Bushing (back) Set Screw
207080	16504	" " " (front) with 202244
202244	-----	" " " " Oil Packing (wick)
200502B	13451	" " " " " " Thumb Screw
200338C	16501	Arm Shaft Bushing (front) Set Screw
263105	16504	" " Connection Belt
224514	16504	" " " " Pulley with 200327C, 200602E and two 202253
200602E	16501	Arm Shaft Connection Belt Pulley Position Screw
200327C	16501	Arm Shaft Connection Belt Pulley Set Screw
202253	16501	Arm Shaft Connection Belt Pulley Spring Flange
208573	16503	Arm Shaft Counter Balance with 200335C
200335C	16501	" " " " Set Screw
244063	16504	Balance Wheel (disc) (belt groove 2-1/8 in. diam.) with 200328C and 200335C
200328C	16501	Balance Wheel Position Screw
200335C	16501	" " Set Screw
*224537	-----	Bed with 224517 and three 200582H
202258	16503	" Hinge Connection (2)
200570E	11672	" " " Screw (4)
208570	16504	" Plate (back)
Note: Bed Plate 208570 is furnished when order for Machine does not include Binder.		
224538	16503	Bed Slide (front)
201168D	16511	Binder Base Plate Thumb Screw
263099	16501	Bobbin
210846	16501	" Case Base
241402	16501	" " Cap with 200592C, 201016F and 263110
241403	-----	Bobbin Case Cap complete, Nos. 200964C, 210736, 210914 and 241402
210913	16501	Bobbin Case Latch
210914	-----	" " " 210913 with 210734 and 210735
210735	16501	Bobbin Case Latch Fulcrum Pin
210734	16501	" " " Lever

## PLATE 16504 - ONE-FOURTH SIZE

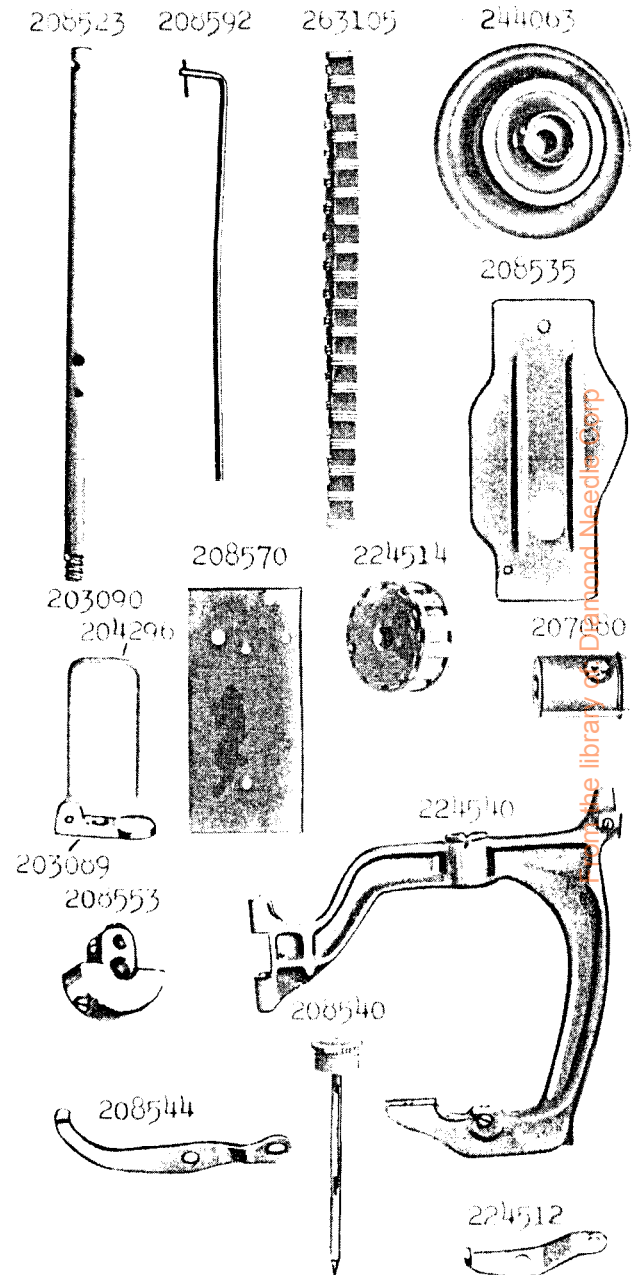
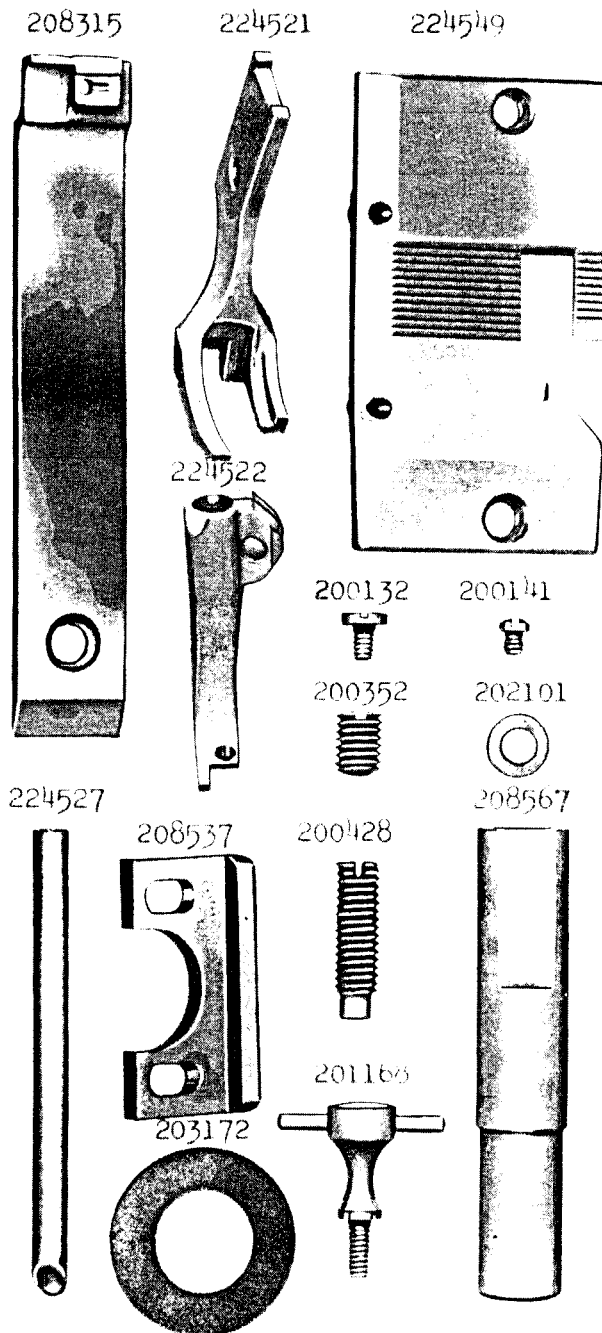


PLATE 16511 - FULL SIZE

PARTS FOR MACHINE No. 151w3



No.	Plate	Name
210736	16501	Bobbin Case Latch Spring
200964C	16501	" " " Stop Screw
263145	16501	" " Stop
200136D	16501	" " " Screw
263110	16501	" " Tension Spring
201016F	16501	" " " " Regulating Screw
200592C	16501	Bobbin Case Tension Spring Screw
241404	16504	Bobbin Case complete, Nos. 210846 and 241403
208535	16504	Face Plate
202135	11672	" " Position Pin
200462B	11672	" " Thumb Screw
208538	11672	Feed Driving Connection (bronze) with 202277
202277	-----	Feed Driving Connection Oil Packing (wick)
208539	11672	Feed Driving Connection Stud (eccentric) with 224530
224530	-----	Feed Driving Connection Stud Oil Pack- ing (wick)
200346C	16502	Feed Driving Connection Stud Set Screw
208331	13451	" " Eccentric Regulating Bracket
224515	-----	" " " " " "
		208331 with 224514, two each 201014C and 201525E
201014C	11672	Feed Driving Eccentric Regulating Bracket Hinge Screw
201525E	11672	Feed Driving Eccentric Regulating Bracket Hinge Screw Nut
202301	13451	Feed Driving Eccentric Regulating Bracket Plunger
202595	13451	Feed Driving Eccentric Regulating Bracket Plunger Spring
200607C	13451	Feed Driving Eccentric Regulating Bracket Plunger Spring Stop Screw
201014C	11672	Feed Driving Eccentric Regulating Bracket Stop Screw
201525E	11672	Feed Driving Eccentric Regulating Bracket Stop Screw Nut
200429C	13451	Feed Driving Eccentric Regulating Screw
200383C	13451	" " " " " "
		Check Screw
208540	16504	Feed Regulating Spindle with 202311, 202443 and 202619
*202311	-----	Feed Regulating Spindle Head
202443	16502	" " " " Pin
202619	16502	" " " " Position Pin
263140	-----	Hook with 263134 and two 462C

224527

From the Library of Dillard and Beede Corp

No.	Plate	Name
263141	16502	Hook 263140 with 200145C, 200614C, 263034, 263122 and two 200596F
263147	-----	Hook and Bobbin Case complete, Nos. 241404 and 263141
263122	16502	Hook Gib
200614C	16502	" " Hinge Screw
200596F	16502	" " Screw
263134	-----	" Oiling Felt
462C	16502	" Set Screw
224539	16503	" Shaft with 263133
263029	16503	" " Ball Bearing
*263030	-----	" " " Collar with two 200383C
263031	16503	Hook Shaft Ball Bearing Collar 263030 with 263029
200383C	13451	Hook Shaft Ball Bearing Collar Set Screw
263032	16503	Hook Shaft Ball Bearing Retainer
200998E	16502	" " " " Screw (3)
263146	16503	" " Bushing (front) with 202423
200346C	16502	" " " " Set Screw
202423	-----	" " " " Oil Packing (wick)
263033	16503	Hook Shaft Connection Belt Pulley with 202324 and two 201018C
201018C	11672	Hook Shaft Connection Belt Pulley Set Screw
202324	16502	Hook Shaft Connection Belt Pulley Spring Flange
202260	-----	Hook Shaft Oil Packing (wick) (2)
263139	-----	" " " Wick
263034	16502	" Washer Needle Guard
200145C	16502	" " " " Screw
224512	16504	Knee Lifter Connection Lever
208543	-----	" " " " 224512 with 208544, 208592 and two 200262H
200262H	11672	Knee Lifter Connection Lever Hinge Screw
208592	16504	Knee Lifter Connection Lever Lifting Rod with 202302
202302	13451	Knee Lifter Connection Lever Lifting Rod Cotter Pin
208544	16504	Knee Lifter Lifting Lever
200262H	11672	" " " " Hinge Screw
208545	11672	Lifting Bell Crank
208546	11672	" " " Driving Crank
208547	11672	" " " " Link
202277	-----	" " " " Oil Packing (wick)
201012C	11672	Lifting Bell Crank Driving Crank Position Screw

No.	Plate	Name
200374C	16502	Lifting Bell Crank Driving Crank Set Screw
200996C	16502	Lifting Bell Crank Stop Screw
224521	16511	" Presser Foot
200074F	11672	" " " Screw
208526	13451	Needle Bar with 200141F
224540	16504	" " and Needle Plate Carrier Frame with 200346C, 200997C and 208550
350401C	16502	Needle Bar and Needle Plate Carrier Frame Hinge Screw
224517	16502	Needle Bar and Needle Plate Carrier Frame Hinge Bearing
200582H	16502	Needle Bar and Needle Plate Carrier Frame Hinge Bearing Screw (3)
200998C	16502	Needle Bar and Needle Plate Carrier Frame Hinge Screw Stud
208550	16502	Needle Bar and Needle Plate Carrier Frame Hinge Screw Stud Bushing (split)
200997C	16502	Needle Bar and Needle Plate Carrier Frame Hinge Screw Stud Bushing Position Screw
202277	-----	Needle Bar and Needle Plate Carrier Frame Hinge Screw Stud Oil Packing (wick)
208551	16502	Needle Bar Connecting Link
208552	16502	" " " Stud with 200086C and 202330
202330	-----	Needle Bar Connecting Stud Oil Packing (wick)
200086C	16512	Needle Bar Connecting Stud Pinch Screw
208553	16504	" " Crank with 200335C, 200374C, 200428C and 201012C
208582	-----	Needle Bar Crank 208553 with 200996C, 202398, 202400, 208545 to 208547, 208551, 208552, 208555, 208557, 208562 and 208563
203172	16511	Needle Bar Crank Friction Washer
200428C	16511	" " " Position Screw
200335C	16501	" " " Set Screw
224541	-----	" " Oil Pad (felt)
200132E	16511	" " " " Screw
208315	16511	" Plate, 50 needle hole, for needle sizes 14 and 15
201387F	13451	Needle Plate Screw
208537	16511	" " Slide Plate (adjustable)
200054C	13451	" " " " Screw (2)
202101	16511	" " " " Washer (2)
200141F	16511	" Set Screw

No.	Plate	Name
224527	16511	Oil Leader (brass) (for back hook shaft bearing)
208566	16503	Presser Bar with 200074F
208567	16511	" " Bushing
200352C	16511	" " " Set Screw
208313	16512	" " Lifter
200653C	16512	" " " Hinge Screw
208555	16512	" " Lifting Bracket with 200054E
200975F	16512	" " " Guide Screw
200054E	13451	" " " Pinch Screw
208556	16512	" " Spring
20494B	16512	" " Thumb Screw (pressure regulating)
200475B	16512	Presser Bar Thumb Screw
202355	16512	" " " " " " "
		Packing (brass)
202397	16512	Take-up (auxiliary)
200842E	16512	" " Screw
202398	16512	" Lever
208557	16512	" " Driving Stud with 202277
202277	-----	" " " Oil Packing (wick)
202400	16513	Take-up Lever Hinge Stud with 202423
202423	-----	" " " " Oil Packing (wick)
200383C	13451	Take-up Lever Hinge Stud Set Screw
208558	16512	" " Oil Guard with 223655 and 224572
200161H	16512	Take-up Lever Oil Guard Screw
208568	16512	" " " Leader
202254	-----	" " " Packing (wick)
223655	-----	" " Oiling Felt
224572	13451	" " " Rivet
244048	16513	Tension Disc (back)
244049	16513	" " (front)
202404	16513	" Release Plunger
233629	13451	" " Slide
208560	13451	" " " Spring
244061	16513	" " Washer
202407	10881	" Spring
263106	16513	" " Washer
200625F	16513	" Stud with 204925
200061C	16513	" " Set Screw
204925	16513	" " Washer
201572B	10881	" Thumb Nut
244062	-----	Tension complete, Nos. 200625F, 201572B, 202407, 202410, 244048, 244049, 244061 and 263106
202410	16513	Thread Controller Spring
202411	16513	" " " Stop

No.	Plate	Name
200132E	16511	Thread Controller Spring Stop Screw
208574	13451	" Guide
202412	16513	" "
202415	16513	" "
224542	16513	" "
200172H	16513	" " Screw
200582H	16502	" " "
200397H	13451	" " Set Screw
202091	16513	" Retainer Sleeve
202092	16513	" " Spring
204058	16513	" " Stud
200366H	16512	" " " Set Screw
204059	-----	Thread Retainer complete, Nos. 202091, 202092 and 204058
224549	16511	Throat Plate with 263145 and two 200136D
200577XC	11672	Throat Plate Screw (2)
208562	16513	Vibrating Presser Bar
208563	16513	" " " Connecting Link
202277	-----	" " " Oil Packing (wick)
224522	16511	" " Foot with 201015F
201015F	16513	" " " Pinch Screw

## ACCESSORIES

No.	Plate	Name
200157B	16513	Attachment Screw
263099	16501	Bobbin (5)
*225482	-----	" Case Screw Driver Blade
*225483	-----	" " " " Handle
225497	14383	Bobbin Case Screw Driver complete, Nos. 225482 and 225483
135 x 1	-----	Needle ,three each, sizes 12 and 14
228220	-----	Drip Pan with four 1 in. wire nails
41400	14383	Machine Rest Pin (wood)
120342	14383	Oiler with 120343
120343	14383	" Spout 3-1/2 in. long
*225484	-----	Screw Driver Blade
*225485	-----	" " Handle
225498	14383	Screw Driver complete (7-1/4 in. long), Nos. 225484 and 225485
225554	14383	Wrench (steel)

## BOBBIN WINDER

(SWINGING AUTOMATIC, RIGHT HAND)

225453	10884	Frame with 202277 and 225438
225454	10884	" Hinge Pin
202277	-----	" Oil Packing (wick)
225438	10884	" " Well Cap
225455	10884	" Spring
225456	10884	" " Plunger
202473	10885	Pulley with 200380C
200380C	10864	" Set Screw
225381	10884	Spindle
225444	10884	Stop Latch
200056E	10884	" " Screw
225458	10884	" " Thumb Lever
225459	10884	" " " " Hinge Stud
225459	10884	" " " " Joint Stud
202478	10884	" " Trip Lever
200299H	10884	" " " " Hinge Screw
225461	10881	Tension Bracket with 201499B
200082D	10881	" " Screw
228026	10884	" " " Washer
2102	10881	" Disc
202407	10881	" Spring

## ACCESSORIES

No.	Plate	Name
201499B	10881	Tension Stud
201572B	10881	" " Thumb Nut
225462	10881	Bobbin Winder Tension Bracket complete Nos. 201572B, 202407, 225461 and two 2102
225433	10885	Bobbin Winder and Tension Bracket Base
225382	10885	Universal Bobbin Winder complete, Nos. 200056E, 200082D, 200299H, 202473, 202478, 225381, 225433, 225444, 225453 to 225456, 225458, 225462, 228026, two each 225459 and wood screws 3/4 in. Nos. 12, R. H. B.

## KNEE LIFTER

228294	15911	Rock Lever with two 356C
228295	15911	" " Bracket with 356C and four wood screws 7/8 in. No. 12
228299	-----	Rock Lever Bracket 228295 and 228294 and 228297
228296	15911	Rock Lever Extension with 200529C
356C	15911	" " " Set Screw
228297	15911	" " Hinge Pin
356C	15911	" " " " Set Screw
202455	15911	" " Knee Arm
356C	15911	" " " " Set Screw
228284	15911	" " Plate with 356C
356C	15911	" " " " Set Screw
227728	15911	" " Rod with 227729
226729	-----	" " " Cap
200529C	15911	" " " Set Screw
228298	15911	Knee Lifter Rock Lever complete, Nos. 202455, 227728, 228284, 228296 and 228299

(Other Knee Lifter Parts are listed with parts of Machine Head)

## BINDERS

## FOR CORSET BINDING

STATE SIZE REQUIRED. SEND SAMPLE OF BINDING

AND MATERIAL TO BE BOUND

208324	16514	Binder Base Plate with seven 225671
208326	16514	" Head Adjusting Lever
200292F	16513	" " " " Hinge Screw
208327	16513	" " " " " "
		Washer
200133D	16513	Binder Head Screw



## BINDERS

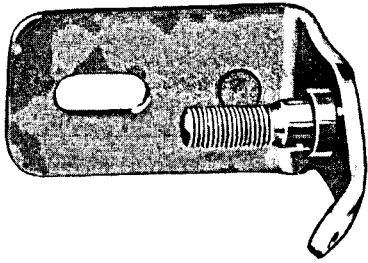
No.	Plate	Name
208318	16514	Binder Head Slide Block
225671	16514	" Ribbon Tension Pin
208329	16514	" Tape Guide, for tapes or folded strips from 3/8 to 3/4 in., in steps of 1/32 inch
200907B	16513	Binder Tape Guide Screw
208305	16514	" Head, .035 in. opening, for tapes or folded strips from 3/8 to 3/4 in., in steps of 1/32 inch
208306	16514	Binder complete, .035 in. opening, for tapes or folded strips from 3/8 to 3/4 in., in steps of 1/32 in., Nos. 200292F, 208305, 208318, 208324, 208326, 208327, 208329, two each 200133D and 200907B
208307	-----	Binder Head, .020 in. opening, for Tapes or folded strips from 3/8 to 3/4 in., in steps of 1/32 inch
208308	-----	Binder complete, .020 in. opening, for tapes or folded strips from 3/8 to 3/4 in., in steps of 1/32 in., Nos. 200292F, 208307, 208318, 208324, 208326, 208327, 208329, two each 200133D and 200907B
208309	-----	Binder Head, .045 in. opening, for tapes or folded strips from 3/8 to 3/4 in. in strips of 1/32 inch
208310	-----	Binder complete, .045 in. opening, for tapes or folded strips from 3/8 to 3/4 in., in steps of 1/32 in., Nos. 200292F, 208309, 208318, 208324, 208326, 208327, 208329, two each 200133D and 200907B
208311	-----	Binder Head, .025 in. opening, for tapes or folded strips from 3/8 to 3/4 in., in steps of 1/32 inch
208312	-----	Binder complete, .025 in. opening, for tapes or folded strips from 3/8 to 3/4 in., in steps of 1/32 in., Nos. 200292F, 208311, 208318, 208324, 208326, 208327, 208329, two each 200133D and 200907B
208319	-----	Binder Head, .030 in. opening, for tapes or folded strips from 3/8 to 3/4 in. in steps of 1/32 inch
208320	-----	Binder complete, .030 in. opening for tapes or folded strips from 3/8 to 3/4 in., in steps of 1/32 in., Nos. 200292F, 208318, 208319, 208324, 208326, 208327, 208329, two each 200133D and 200907B

## BINDERS

No.	Plate	Name
208303	-----	Binder Head, .040 in. opening, for tapes or folded strips from 3/8 to 3/4 in. in steps of 1/32 inch
208304	-----	Binder complete, .040 in. opening, for tapes or folded strips from 3/8 to 3/4 in., in steps of 1/32 in., Nos. 200292F, 208303, 208318, 208324, 208326, 208327, 208329, two each 200133D and 200907B

PLATE 10881—FULL SIZE

225461



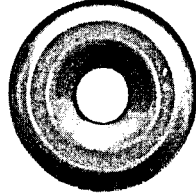
200082



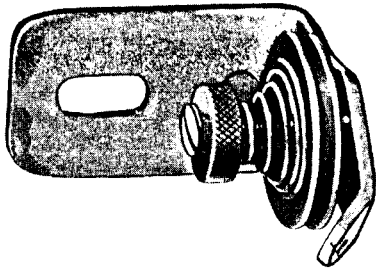
202104



2102



225462



202407



201499



201572



PLATE 10884 - FULL SIZE

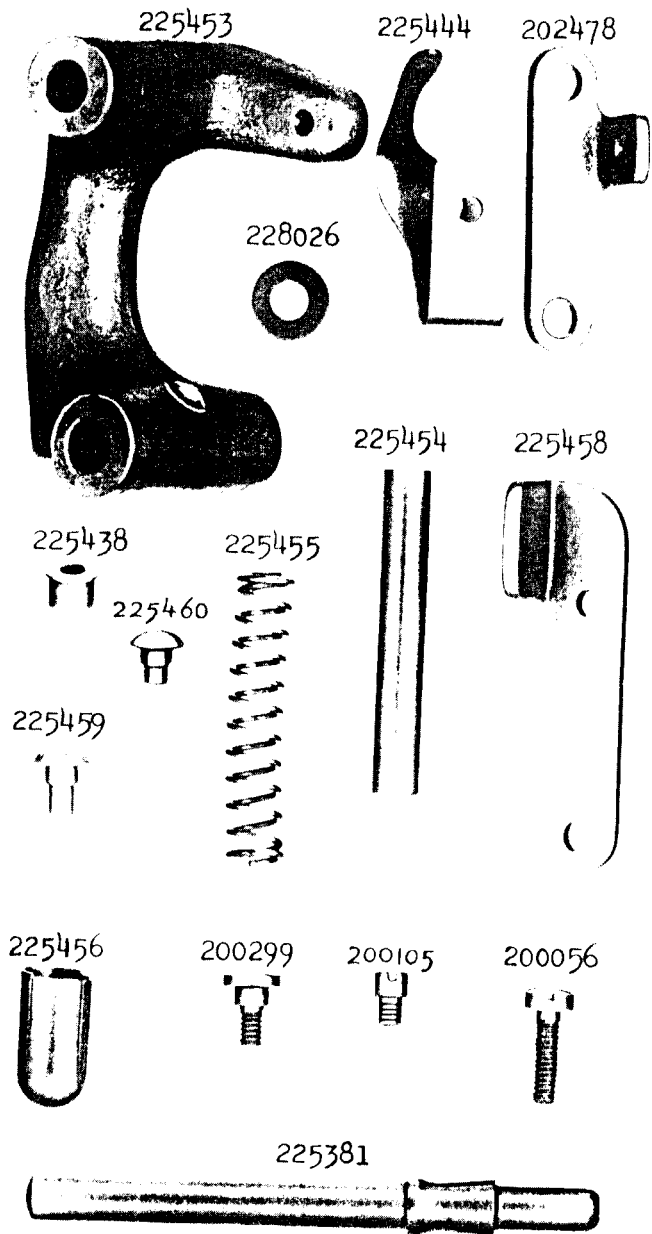
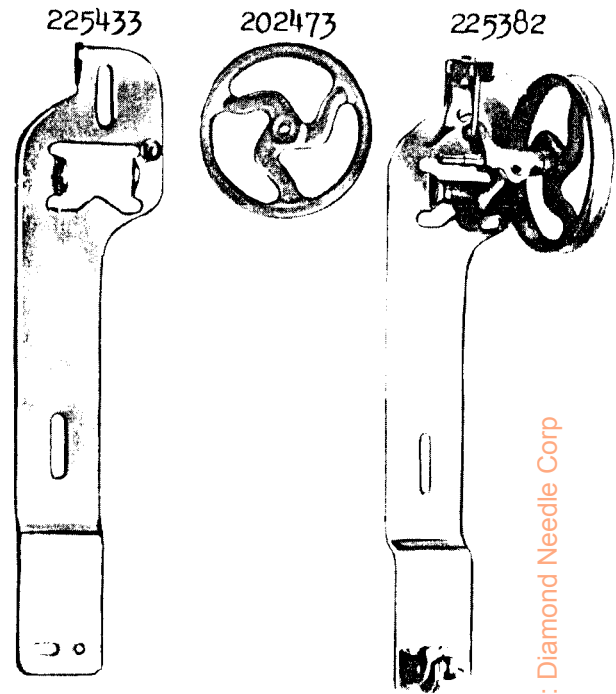


PLATE 10885 - ONE-FOURTH SIZE



From the library of: Diamond Needle Corp

PLATE 11672 - FULL SIZE

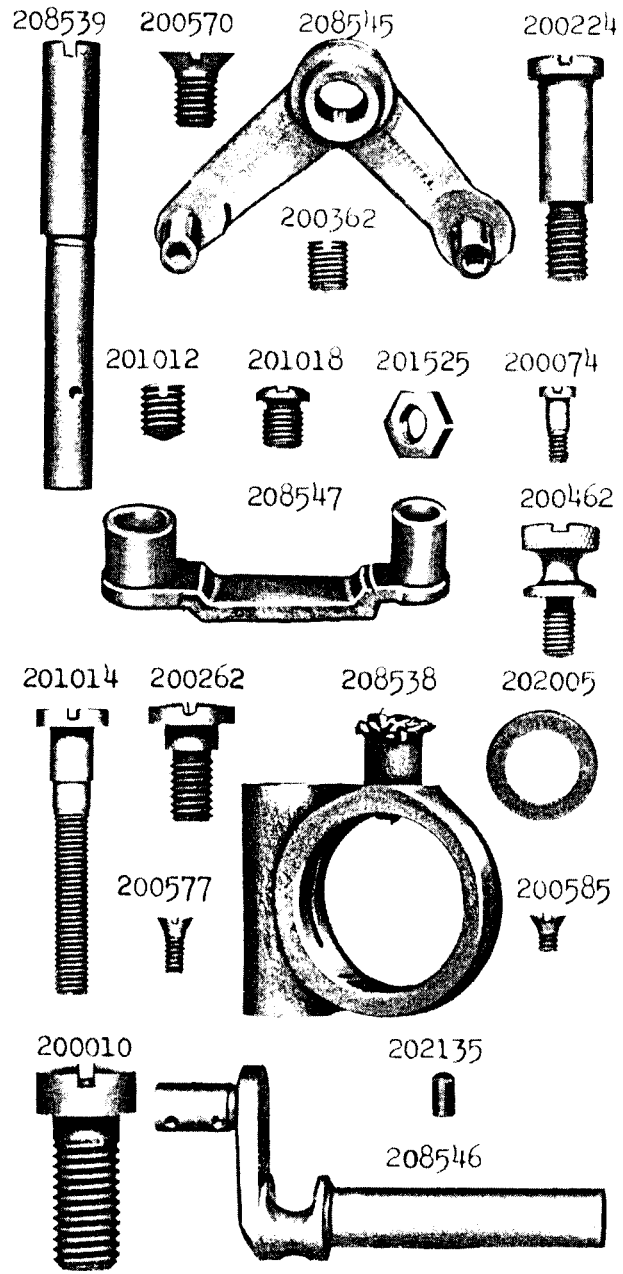


PLATE 13451 - FULL SIZE

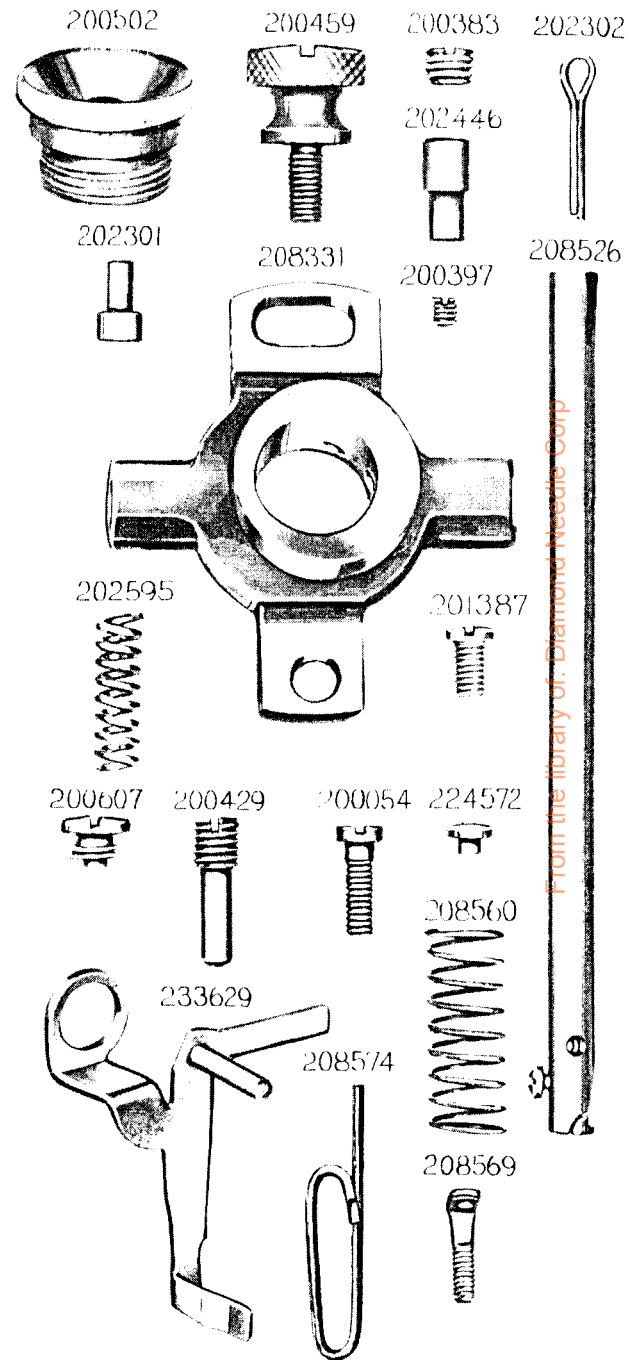


PLATE 14383 - ONE-HALF SIZE

225497



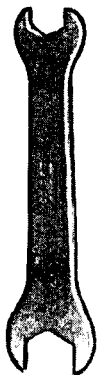
225498



41400



225554



120342

120343

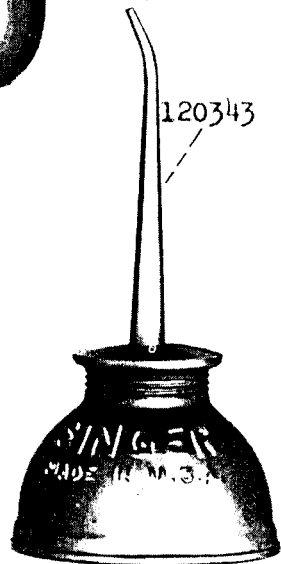
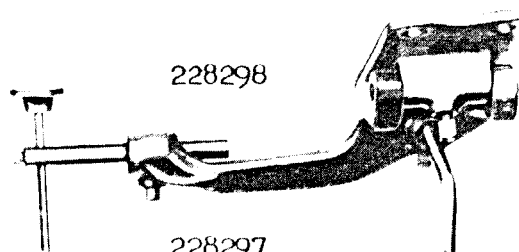


PLATE 15911-ONE-FOURTH SIZE

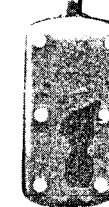
228298



228297



228296



227728



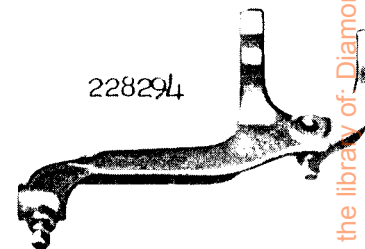
356



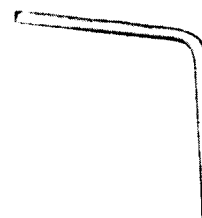
200529



228294



202455



228284

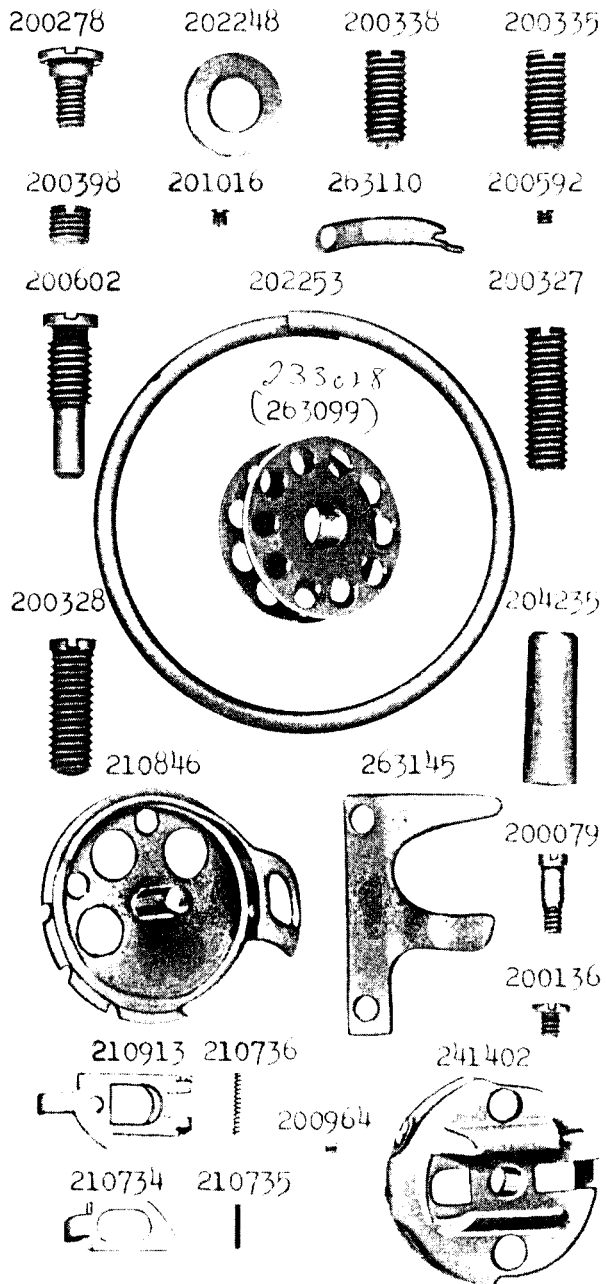


228295



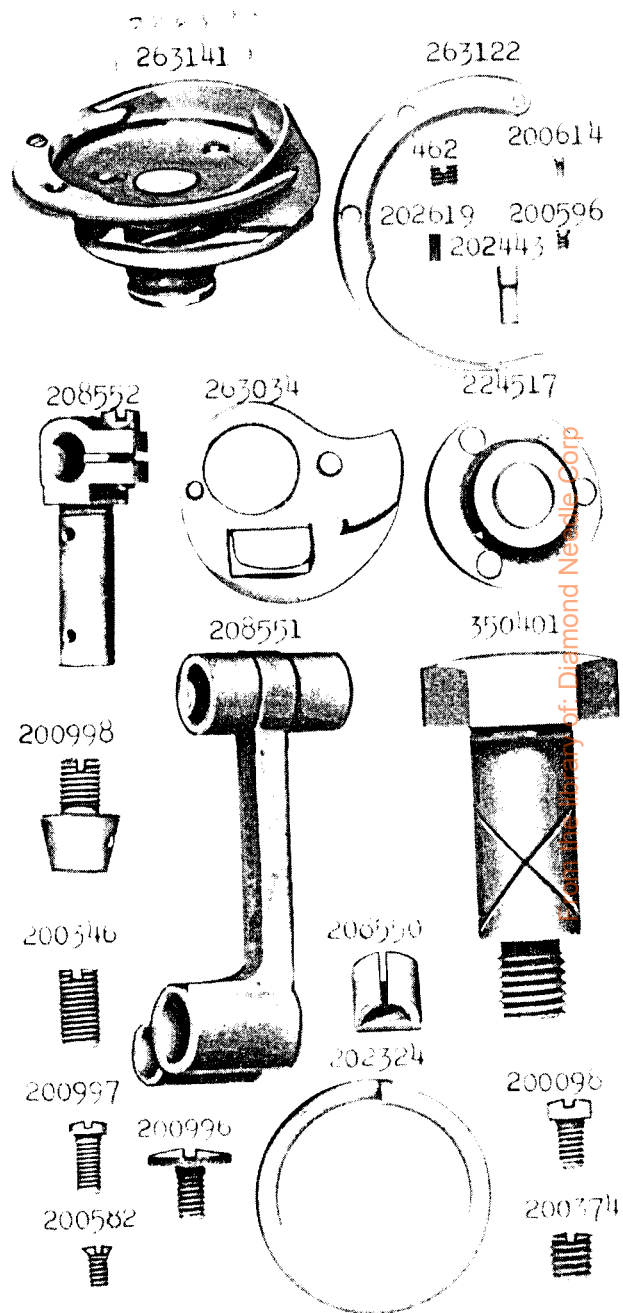
from the library of: Diamond Needle Corp

PLATE 16501 - FULL SIZE



200335  
 200335

PLATE 16502 - FULL SIZE



Library of: Diamond Needle Corp

PLATE 16503 - ONE-HALF SIZE

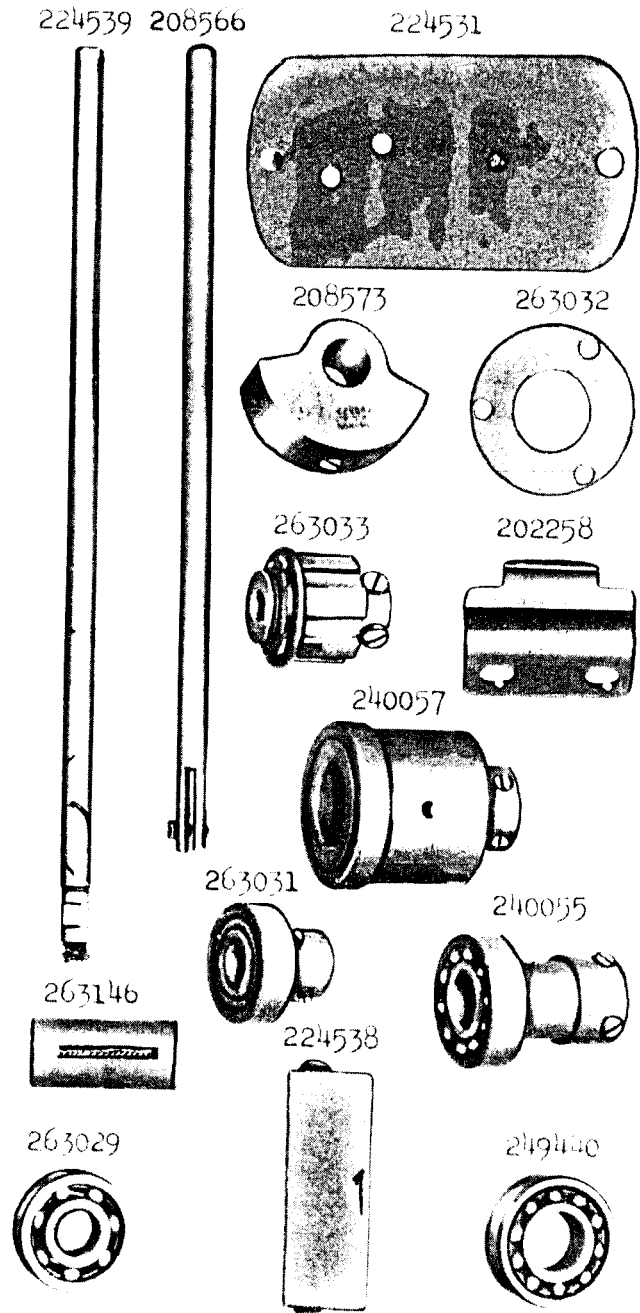
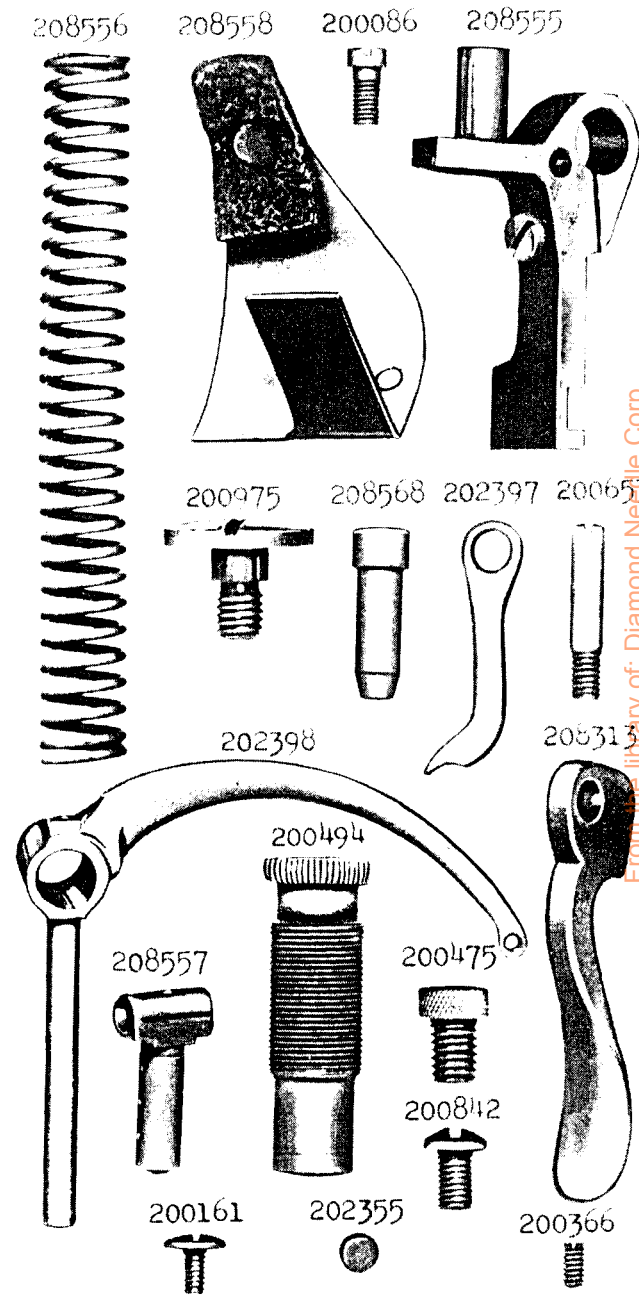


PLATE 16512 - FULL SIZE



From the library of: Diamond Needle Corp

PLATE 16513 - FULL SIZE

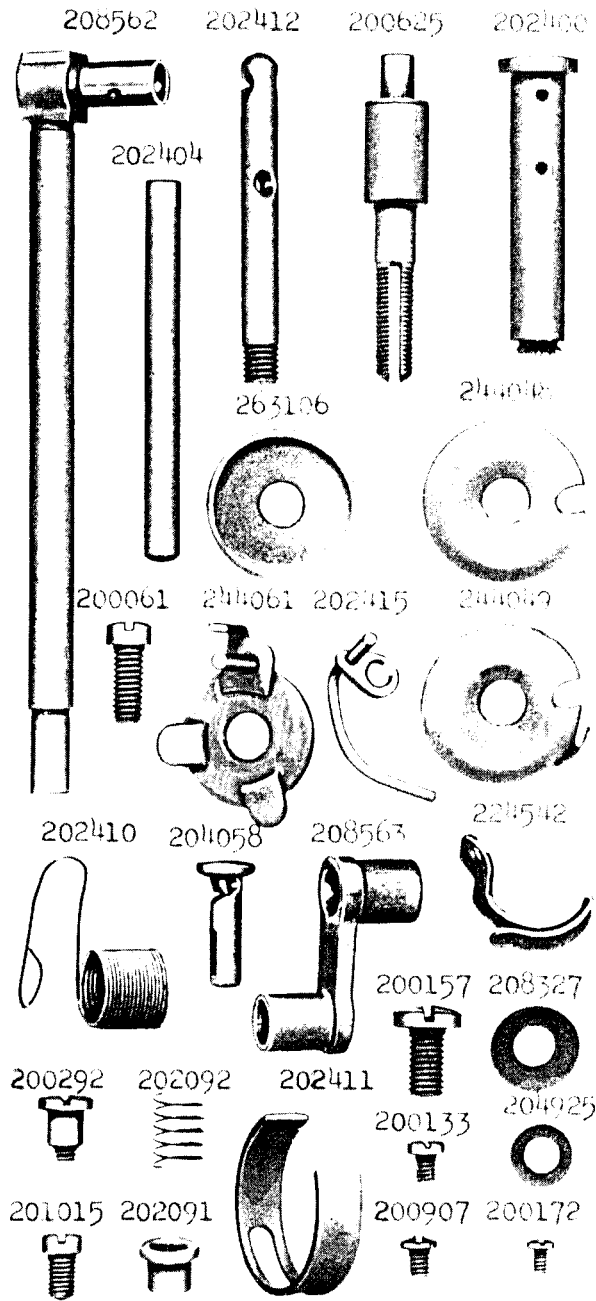
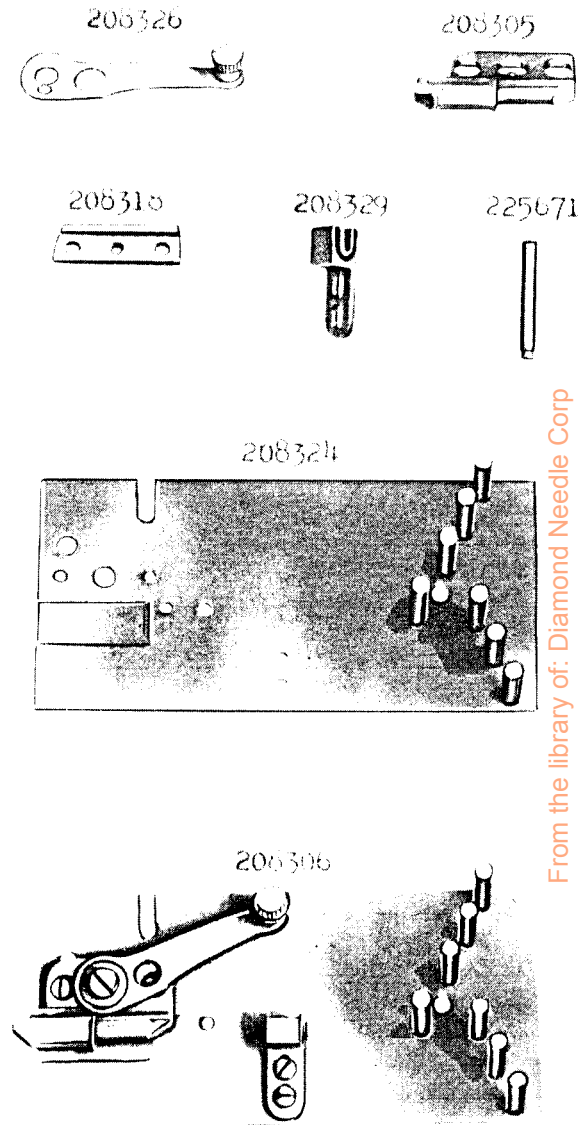


PLATE 16514 - ONE-HALF SIZE



From the library of: Diamond Needle Corp